

FLEXFLO[®] A2P

Specially designed for pools, spas,
and water parks
Feed rates to 15.9 GPH (60.2 LPH)
Pressures to 50 PSI
100:1 turndown ratio
Tube Failure Detection (TFD) system
Variable speed DC motor
2 -year warranty



Certified to
NSF/ANSI Standard 50

Exclusive:

NEMA 4X



Patents: 4,496,295, 7,001,153, 7,284,964 and other patents pending



Features:

- Peristaltic pump design does not have valves that can clog requiring maintenance.
- Self priming - even against maximum line pressure. Bypass valves are not required. Cannot vapor lock or lose prime.
- Output rates to: 15.9 GPH (60.2 LPH) and pressures up to 50 PSI (3.4 Bar).
- Variable speed DC motor.
- Patented Tube Failure Detection (TFD) system. Senses tube failure by detecting chemical in the pump head. No false triggering.
- Remote Start/Stop: Non-powered dry contact closure for remote start/stop.
- Outputs include: one 250V/3A relay to monitor TFD (Tube Failure System) and FVS (Flow Verification System).
- Two PVDF molded squeeze rollers and two alignment rollers for optimum squeeze, unparalleled accuracy, and tube life.
- Heavy duty rotor - single piece plastic rotor means no flexing and increased accuracy with no metal springs or hinges to corrode.
- Chemically resistant tubing capable of pumping bleach (sodium hypochlorite), calcium hypochlorite 20%, and muriatic acid (hydrochloric acid).

FLEXFLO[®] Peristaltic Metering Pump

Engineering and Technical Data

Engineering Specifications:

Maximum Working Pressure (Excluding pump tubes):

50 psig (3.4 bar)

NOTE: See the individual pump tube assembly maximum pressure ratings.

Maximum Suction Lift:

30 ft. of water at sea level (14.7 atm psi)

Ambient Operating Temperature:

14°F to 125°F (-10°C to 52°C)

Ambient Storage Temperature:

-40°F to 158°F (-40°C to 70°C)

Operating Voltage:

115VAC 50/60Hz, 1ph (1.5 Amp Maximum)

230VAC 50/60Hz, 1ph (0.7 Amp Maximum)

220VAC 50/60Hz, 1ph (1.0 Amp Maximum)

240VAC 50/60Hz, 1ph (1.0 Amp Maximum)

Power Cord Options:

115V50/60Hz = NEMA 5/15 (USA)

230V50/60Hz = NEMA 6/15 (USA)

220V50/60Hz = CEE 7/VII (EU)

240V50/60Hz = AS 3112 (Australia/New Zealand)

Motor:

Brushed DC, 1/8 H.P.

Duty Cycle:

Continuous

Motor Speed Adjustment Range 100:1:

1.0% - 100% motor speed (1.3 to 130 RPM)

Enclosure:

NEMA 4X (IP66), Polyester powder coated aluminum.

Maximum Overall Dimensions:

7-1/2" W x 10-1/4" H x 14" D (19 W x 26 H x 35.6 D cm)

Product Weight:

28.4 lb. (12.9 Kg)

Approximate Shipping Weight:

35 lb. (15.9 Kg)

Materials of Construction:

Wetted Components:**Pump Tube Assembly:**

Tubing:.....Flex-A-Prene[®]

Adapter Fittings: PVDF

NOTE: This is model specific, and two are provided.

Injection / Back-Flow Check Valve:

Body & Insert: PVDF

Check Ball: Ceramic

Spring: Hastelloy C-276

Ball Seat O-Ring: FKM (optional EPDM)

Static Seal O-Ring: FKM (optional EPDM)

Ancillary Items Provided:

Suction Tubing: 3/8" OD x 1/4" ID x 10' Clear PVC

Discharge Tubing: 3/8" OD x 1/4" ID x 10' Polyethylene (LLDPE)

Suction Strainer: PVDF

Suction Strainer:

Body:.....PVDF

Check Ball:Ceramic

Ball Seat O-Ring:.....TFE/P (Optional EPDM)

With "M" Tubing M/NPT Connections Only:**Suction Strainer:**

Body:.....PVDF

Check Ball:Ceramic

Ball Seat O-Ring:.....TFE/P (Optional EPDM)

Non-Wetted Components:**Enclosure:**

413 Aluminum (Polyester powder coated)

Pump Head:

Valox[®] (PBT) thermoplastic

Pump Head Cover:

Polycarbonate for added strength and chemical resistance.

Permanently lubricated sealed motor shaft support ball bearing.

Cover Screws:

Stainless steel

Roller Assembly:

Rotor:.....Valox[®] (PBT)

Rollers:PVDF

Roller Bearings:SS Ball Bearings

Motor Shaft:

Chrome plated steel

TFD System Sensor Pins:

Hastelloy C-276

Power Cord:

3 conductor, SJTW-A water-resistant

Tube Installation Tool:

GF nylon

Mounting Brackets and Hardware:

316 stainless steel

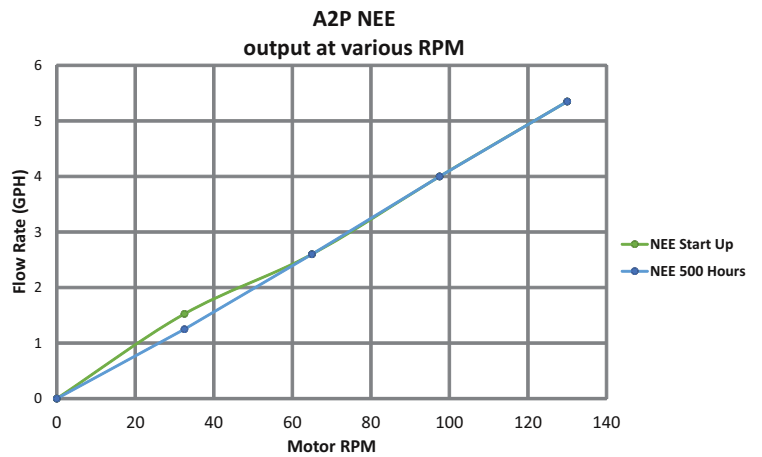
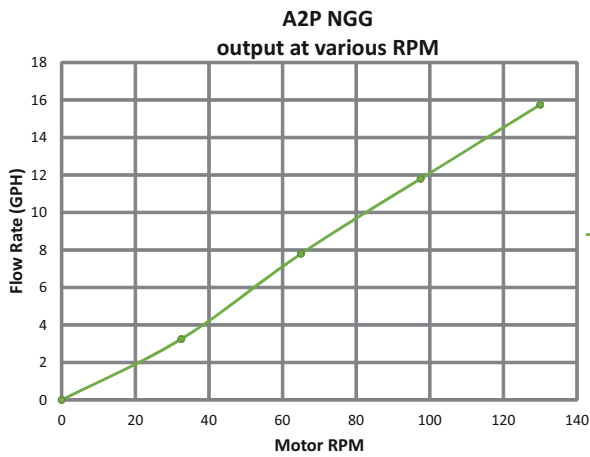
FLEXFLO[®] Peristaltic Metering Pump

Engineering and Technical Data

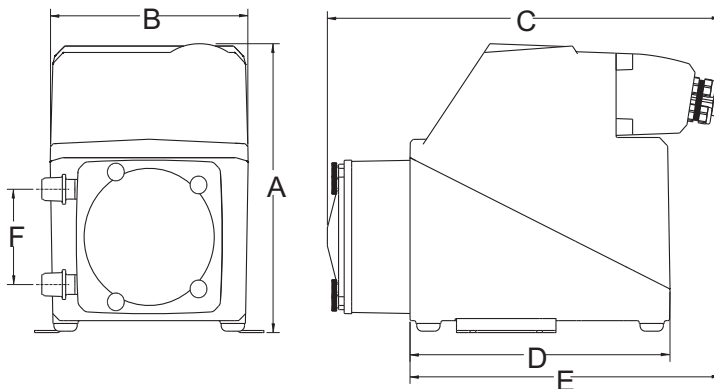
Output Specifications:

Feed Rate			Max Speed	Max Pressure	Max Temperature	A2P Model Numbers		
Flex-A-Prene[®] A2P Tube Pumps								
Meets FDA criteria for food Excellent chemical resistance CIP SIP								
GPH	LPH	ML/Min	RPM	PSI (bar)	F (C)	115V AC	230V AC	220V AC
.055 - 5.5	.208 - 20.8	3.47 - 347	130	50 (3.4)	185 (85)	A2P24-SNEE	A2P25-SNEE	A2P26-SNEE
.159 - 15.9	.602 - 60.2	10.03 - 1003	130	40 (2.8)	185 (85)	A2P24-SNGG	A2P25-SNGG	A2P26-SNGG

NOTE: For optimum tube life, specify the pump to operate at the lowest possible RPM and pressure.



Dimensions:



Dim	A2P Series	
	Inches	cm
A	10-1/4"	26
B	7-1/2"	19
C	14"	35.6
D	9-1/2"	24.1
E	11"	27.9
F	3-3/8"	8.6

FLEXFLO® Peristaltic Metering Pump

Engineering and Technical Data

Model Number Matrix:

FlexFlo® Model Number	
A2P	FlexFlo® Peristaltic Metering Pump
Maximum Motor Speed	
2	130 RPM (Maximum rotor rotation speed)
Power Cord (Operating voltage requirement 96VAC to 264VAC)	
4	115V 50/60Hz, power cord NEMA 5/15 plug (US)
5	230V 50/60Hz, power cord NEMA 6/15 plug (US)
6	220V 50/60Hz, power cord CEE 7/V11 plug (EU)
8	240V 50/60Hz, power cord AS 3112 plug (Australia/New Zealand)
9	230V 50/60Hz, power cord BS 1363/A plug (United Kingdom)
X	No Power Cord
Pump Tube Material, Pump Tube Size, Operating Flow Range	
NEE	Flex-A-Prene® .093 ID, 0.055 to 5.5 GPH
NGG	Flex-A-Prene® .187 ID, 0.16 to 15.9 GPH

A2P	2	4	-	S	NGG	Sample Model Number
------------	----------	----------	----------	----------	------------	----------------------------